



電寶即熱

HOTPOOL INSTANT

HPI-6

即熱式電熱水器

Electric Instantaneous Water Heater



使用及安裝說明書

Operation and Installation Instruction Manual

在安裝及使用前，必須先細閱此說明書/Please read this instruction manual before use

內容 / Contents

組件說明/Components Information	3
技術規格/Technical Specification	3
安全指引/Safety Instructions	3
安裝說明/Installation Manual	4
冷熱水接駁/Water Connection	5
電力接駁/Electric Connection	6
首次使用/Initiation	7
產品維護/Maintenance	7
故障排除/Troubleshooting	8
保修細則/Terms of Warranty	9
產品資料/Product Information	11

Complied to Safety Standard: IEC 60335-1

IEC 60335-2-35

IEC 62233

香港《電氣產品(安全)規例》

Hong Kong Electrical Products (Safety) Regulation

簡介 / Introduction

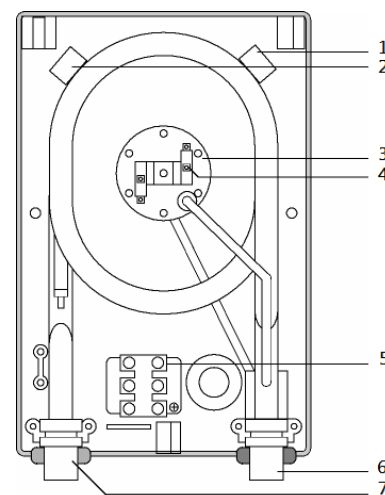
HPI-6: 即熱式電熱水器 / Electric Instantaneous Water Heater

電寶即熱 HPI-6 體積迷你小巧，安裝簡易方便。360°全方位安裝專為狹小空間而設計，最適合廚房或洗手盆應用。全機德國製造並以熱交換系統的獨特設計加熱用水，有效防止因乾燒而損壞發熱芯。只需極低入水流量就能即時啟動，用水即開即熱節能省時。加上水電分離安全設計適合用於任何水質，使 HPI-6 更為耐用，安全。

Hotpool Instant HPI-6 is small in size and all angle installation design, easily to be installed particularly for narrow spaces such as under sink or wash basin. 100% made in Germany and equipped with the unique heat exchange system which prevents damage caused by running dry. Heater can be activated with very low water flow. It means that you can enjoy hot water immediately with energy efficiency.

組件說明 / Components

1. 超溫斷路器 / Maximum temperature cut-out
2. 超溫斷路器二 / Second max temperature cut-out
3. 水力推動開關 / Differential pressure switch
4. 微動開關 / Micro-switches of DP switch
5. 接線端子 / Terminal block
6. 藍色 / Blue marking = 冷水入口 / cold water inlet (G 1/2")
7. 紅色 / Red marking = 熱水出口 / hot water outlet (G 1/2")



電寶即熱 HPI-6 的技術規格 / Specification of Hotpool Instant HPI-6

型號 / Model HPI-6	功率 / Rating	6.0 kW
	電壓 / Voltage	220V/1PE
	電流 / Current	27.4 A
	頻率 / Frequency	50 Hz
	測試水壓 / Testing Pressure	2.0MPa
	工作水壓 / Working Pressure	1.0MPa
	最低啟動流量 / Min. Water Flow to Operate	1.6 l/min.
	最低啟動水壓 / Switch-on Flow Pressure	0.1MPa
	升溫 / Temp. Rise	$\Delta T = 25 \text{ K @ } 3 \text{ l/min}$
	防護級別 / Protection	IP24
	淨重 / Net Weight	1.5kg
	喉管尺寸 / Water Connection	G 1/2"
	機身尺寸 / Dimension(mm)	220Hx144Wx98D

安全指引 / Safety Instruction

警告:本電熱水器必須接地線。

警告:經常定期檢查接駁熱水器的電源線是否破損或過熱。如發生，請立即關掉電源並通知代理商或合格技術員檢查或維修。

注意:在電熱水器注滿用水前必須關閉電源，請勿於缺水的情況下操作本電熱水器。

注意:若使用於沐浴並有花灑設備，必須每三個月檢查花灑頭的出水孔會否因起垢而導致阻塞。

- 安裝此電熱水器前，請小心閱讀本說明書。為確保安全，請安排合格技術員進行水電接駁。
- 於安裝此電熱水器所有過程中，請務必關上電源以防觸電。
- 請確保兒童、長者、身體上或認知能力上的傷健人士須經過監護人的正確指導或協助下操作本電熱水器。
- 兒童應受到監督以確保其不會玩耍本電熱水器。
- 如需將本產品交予另一方接管，請必須將本說明書一併交給對方

Warning: This appliance must be earthed.

Warning: Periodic inspection for water heater's power supply, check whether there is any damage or overheating on the cable. If found, please switch off the power supply immediately, and informs the agent for inspection and it must be checked by authorized professional.

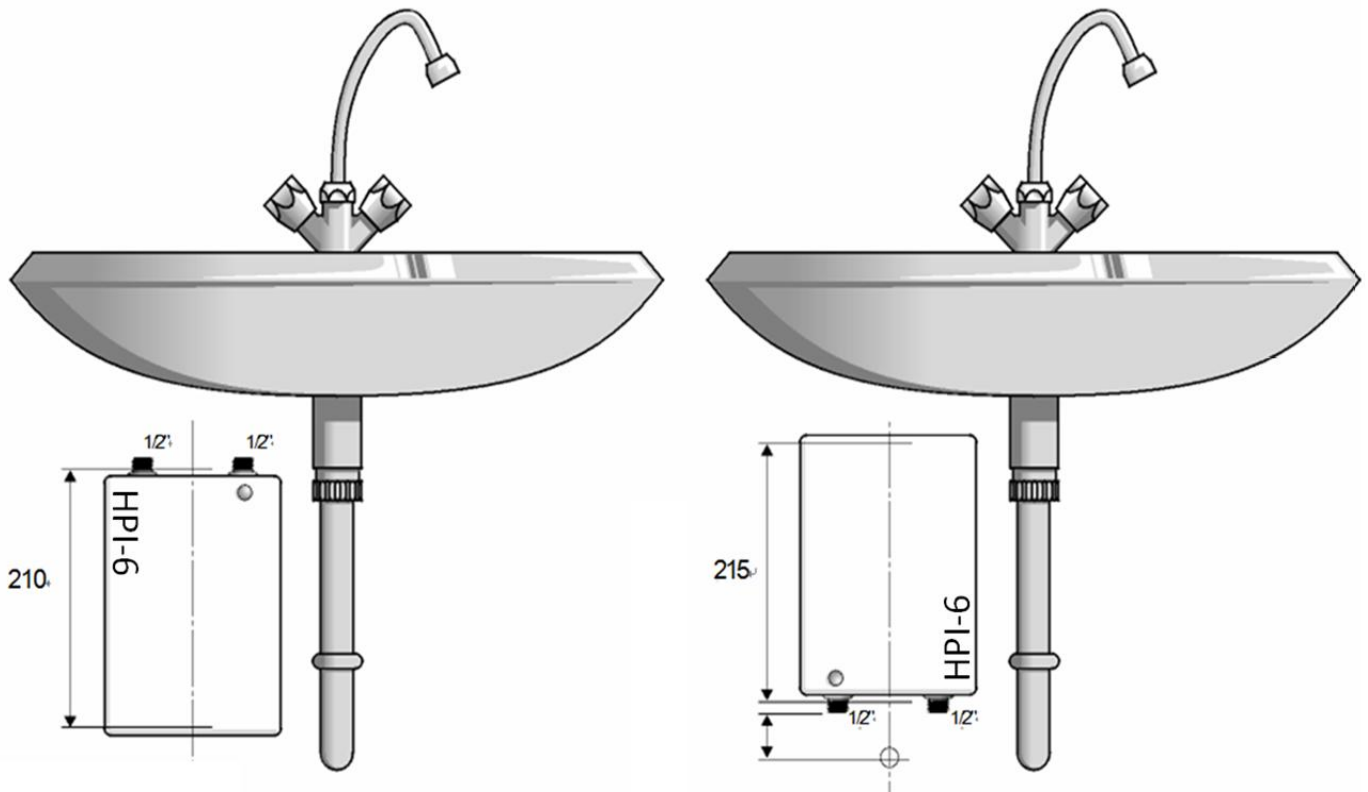
Important: Do not operate this water heater in a "dry state", the electrical power should remain switch off until this appliance is completely filled with water.

Important: In case the appliance is connected with a shower unit, the shower head must be tested or operated every three months to ensure the outlet is not blocked.

- Please read these instructions manual carefully before starting to install this appliance. All installation must be carried out by qualified technicians.
- Make sure the power supply is shut off at all time while working on it.
- Where children or person with limited physical, sensory or mental capabilities, or lack of experience and knowledge are not to be allowed to control this appliance, ensure that this will only happen under supervision or after appropriate instructions by a person responsible for their safety.
- Children should be supervised to ensure that they do not play with the appliance.
- Keep this manual in a safe place, and give it to the new owner.

安裝說明 / Installation Manual

1. 選定放置電熱水器的位量，必須使用穩固的混凝土、實心磚牆或同等功能的建築物。
 2. 請依照安裝模板的尺寸標記螺絲膠塞的位置，並預留足夠空間以裝回本電器產品的面蓋及螺絲。
 3. 依照尺寸於牆上鑽 2 個 $\varnothing 7\text{mm}$ 的螺絲孔並插入螺絲膠塞。
 4. 鬆開電熱水器面蓋上的 3 粒固定螺絲並打開面蓋。
 5. 用 2 粒螺絲把電器產品固定於牆上。
 6. 於開啟電源前，請開啟熱水制直至有水排出約一分鐘。以確保排清電熱水器內的污垢及空氣。
1. Place this appliance on stable concretes, or solid brick wall or same level function building.
 2. Mark the position of the screw plugs according to the positional template, allowing enough space on the top to put the screws back in after closing the front cover.
 3. Drill the 2 holes with $\varnothing 7\text{ mm}$ drill and insert the 2 screw plugs in the wall.
 4. Open the front cover removing the 3 screws and take the cover off the device
 5. Mount the unit using 2 screws.
 6. Before turning on the power, fill the unit with water by opening the tap and let the water run for at least 1 minute, releasing all air from the system.



本熱水器可作多方位安裝 / This water heater is designed for all angle installation

冷熱水接駁 / Water Connection

注意:完成安裝後，請勿立即開啟電源。先把熱水器注滿用水，並開啟龍頭的熱水制把熱水器內的空氣完全排出。否則，將會影響熱水器的耐用性。

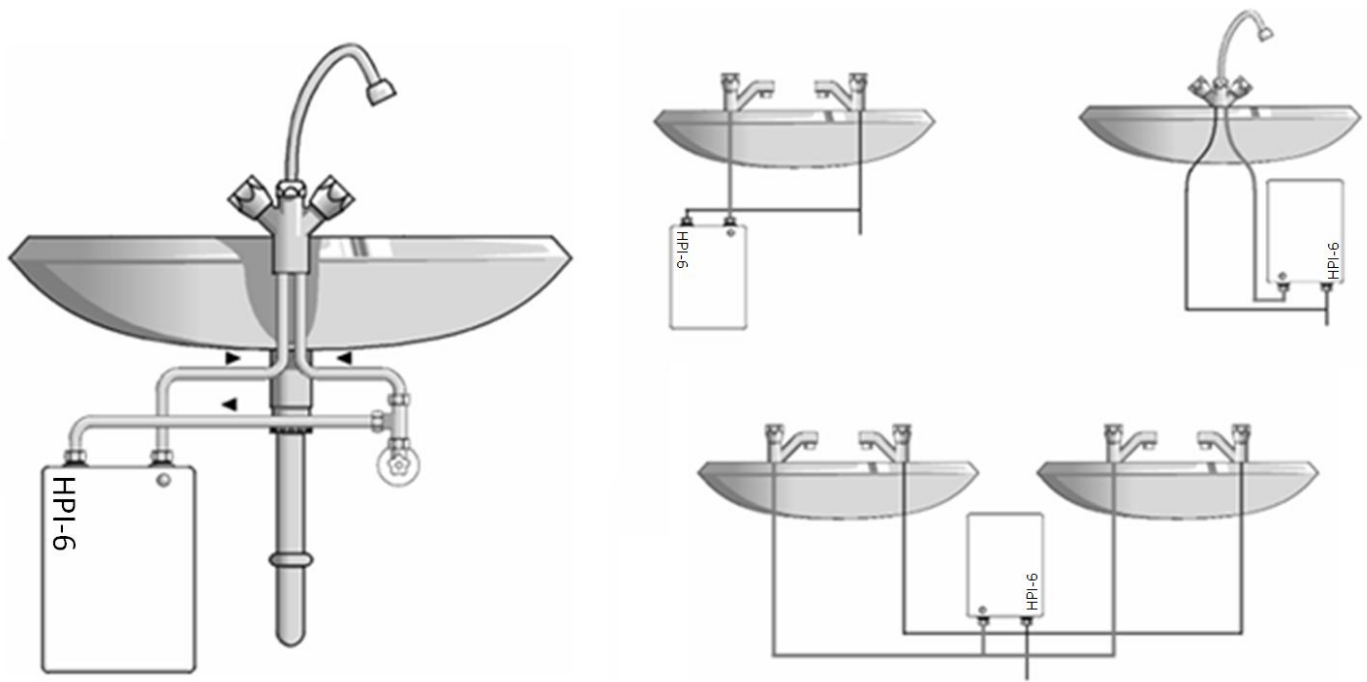
注意:如水壓過大(>1.0MPa)，需加裝合適的減壓制以調節至合適的水壓。如因水壓過大而導致產品結構受損，本公司並不負責。

1. 本電熱水器的最低啟動水壓為0.1MPa，而運作中的水壓亦不可低於0.1MPa。如來水水壓低0.1MPa本電熱水器將不能運作。
2. 請用金屬軟喉接駁本電熱水器。
3. 請勿把冷熱喉管錯誤接駁。請把冷水喉管接駁到藍色標示的位置，而熱水喉管駁到紅色標示的位置。
4. 用戶需於接駁熱水器的來水水管安裝一個1/2"水閘制，以方便控制來水流量或維修之用。

Important: After installation open the water tap to flush the device to release all air from the coil and check all connections. Failing to do so shortens the live-span of the electric elements.

Important: A pressure reducing valve should be installed and adjust to suitable water pressure if the incoming water pressure is greater than 1.0MPa. Manufacturer or agent shall not be held responsible for damages resulted from incoming water over pressure.

1. The water heater has a pre-set minimal cold water supply operating pressure of 0.1MPa. The 0.1MPa pressure needs to remain when the water heater is in use. If the minimal supply pressure is not secured at all times, the water heater can fail to switch on.
2. Connect to the water pipe-work only with flexible hoses.
3. It is to be noted that the in- and outlet connections for cold and hot water should not be mixed up. The fitting with the blue marking is for the cold water inlet and the one with the red marking is for the hot water drain.
4. Please place a 1/2" ball valve in the cold water supply to the water heater to be able to adjust the flow/temperature and for service purposes



本熱水器可作單點或多點式安裝 / This water heater is designed for single or multi-point application

電力接駁 / Electric Connection

注意:電力開關需使用符合國際電工協會(IEC)標準的雙極電源開關制，而該制必須安裝於浴室之外。

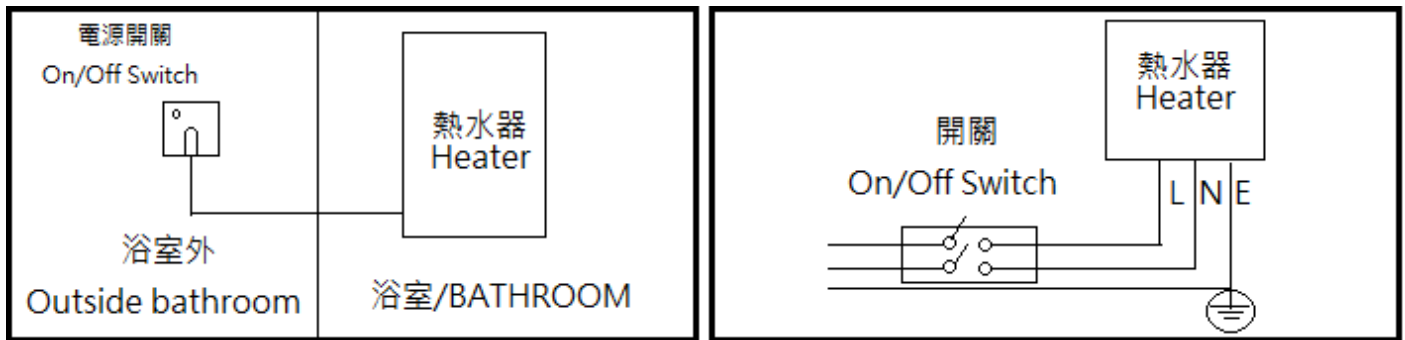
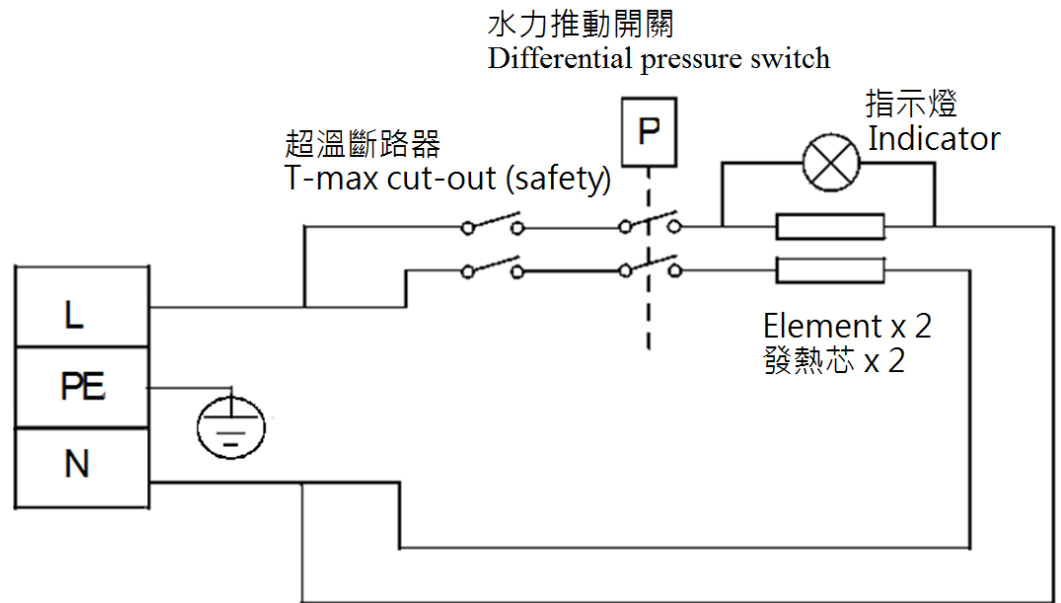
1. 本熱水器電源需接駁於獨立配電斷路制，安裝方法需根據當地電氣標準及條例執行。
2. 根據使用電工條例及當地法規，需安裝雙極電源開關制並接駁最少一款安全斷路制如下：
 - a) 適合之自動斷路制 (30A)
 - b) 適合之漏電斷路制 (30A/0.03s)
3. 本熱水器必須由供應商或合格技術員安裝及維修，並需依照電源線接線圖接駁。
4. 此說明上的熱水器安裝示意圖只供參考，正確安裝位置及尺碼請與合格技術員聯絡。
5. 熱水器的安裝必須安全穩固並且確保電源線接駁正確無誤。
6. 開啟電源前，請確保熱水器注滿用水。

Important: A switch intended to disconnect the water heater from the supply must be installed outside the bathroom, and it should disconnect all poles and should have a contact separation of at least 3mm. (Complied with IEC/BSEN standard)

1. Electrical wiring must directly connect to the individual main supply. Observe all water and electricity regulation locally.
2. According to the local standard and regulations, to install a double pole switch and to connect at least one of the following electrical system is required:
 - a) Suitable MCB system (30A)
 - b) Suitable RCCB system (30A/0.03s)
3. The installation (water & electrical) and commissioning must be only carried out by distributor or qualified technician, and has to be connected according to the applicable wiring diagram,.
4. The installation diagram inside this instruction booklet is for reference only. For the correct installation position and measurement, please contact with the authorized professional.
5. Make sure the installation of the water heater is absolutely correct and stable.
6. Fill the unit with water, and only then switch the power on.

電源線接線圖 / Wiring Diagram

HPI-6 – 6000 Watt: (single phase)



首次使用 / Initiation

注意:請勿立即開啟電源。先把熱水器注滿用水，並開啟龍頭的熱水制把熱水器內的空氣完全排出。
Important: Fill the unit completely with water before turning on the mains power supply. Open the tap and wait until the water flows out from the spout without any air bubbles.

產品維護 / Maintenance

- 熱水器外殼只需用濕布清潔。請勿使用任何清潔劑或酸性溶液，以防侵蝕。
- 當熱水器發生故障時，切勿自行修理或更換零件並應與以下公司聯絡：
 - 電寶實業有限公司
 - 獲授權的維修中心
 - 購買熱水器的分銷商
- A moist rag will do for cleaning the cover. Scouring and dissolving agents are not suitable.
- When malfunctions occur, do not repair or replace any components by yourself and please contact as listed below:
 - Hotpool Industries Ltd.
 - Hotpool authorized service centers
 - Hotpool authorized dealers

故障排除 / Troubleshooting

1. 問題 / Problem

- 沒有熱水 / No hot water.

成因 / Cause

- 超溫斷路制發生作用 / Thermal cut-out is operating
- 安全斷路制發生作用 / MCB system cut off power

解決辦法 / Remedy

- 保持打開水源讓超溫制復位，如繼續發生需聯絡維修服務 / Turn on the tap to cool down the thermal cut-out and the water heater will restart shortly, if happen again please call repairing service.
- 把總制箱的斷路制打開 / Switch on the circuit breaker at the MCB system.

2. 問題 / Problem

- 沒有出水 / No water.

成因 / Cause

- 水閘制被關上 / The gate valve is shut off.
- 自來水停止供應 / No water supply.

解決辦法 / Remedy

- 打開水閘制 / Turn on the gate valve
- 須於停水期間把熱水器的電源關上並等待供水公司回覆水源供應恢復。待正常供水後，需於開啟電源前重覆做一次首次使用程序 / Switch off the power supply of the water heater and wait until the water supply resume. When the water supply is resumed, please perform the initiation procedure before switching on power.

3. 問題 / Problem

- 熱水器所提供的熱水不夠熱 / The water that is coming out of the water heater is not hot enough.

成因 / Cause

- 來水溫度太低 / The incoming water is too cold.
- 出水流量過大 / The water flow is too high.

解決辦法 / Remedy

- 當減低水流量時出水溫度會相對提升，可通過調整水閘制或龍頭以控制水流量 / Outlet temperature can be increased by reducing the water flow. It can be done by adjusting the ball valve or the water mixer.

保修細則

即熱式電熱水器保修細則及條款(祇適用於香港特別行政區)

1. 從購買日起，電寶實業(本公司)將會為本熱水器提供兩年免費上門保修服務。而本公司將會依照下列條款為熱水器提供兩年免費保修服務。
2. 用戶必須於購買日起十四天內把填妥的保用證以傳真、電郵或郵寄方式寄回本公司。否則，用戶將被視為自行放棄該熱水器之兩年免費保修服務的行使權。而本公司不會發出確認通知或退還任何文件。
3. 除本熱水器的爐殼外，本公司的兩年免費保修服務包括對本熱水器的發熱芯及機電零件提供維修及更換。而本公司有全權選擇維修或更換熱水器損壞的部分。
4. 如本公司因產品或零件停產及缺貨之原故而未能為用戶提供維修或更換服務，本公司可選擇以近似品質、功能或型號之產品及零件予以代替。而本公司不會為任何產品或零件的價格差異而作出任何形式的賠償、退款或優惠。
5. 本公司有全權對熱水器進行現場或回廠維修的決定權，於熱水器維修期間本公司並不會提供熱水器借用服務。
6. 當兩年免費保修期屆滿後，所有零件、檢查、維修、運送及裝拆費用均須另行收費。一般收費資料(如有更改、恕不另行通知):

上門/檢查服務費(首兩保修期內豁免)	:HK\$300/每次/每爐
離島附加費	:HK\$150/每次/每爐
特定區域附加費(如:大嶼山、打鼓嶺、愉景灣及沙頭角等)	:HK\$300/每次/每爐
運輸費	:HK\$300/每次/每爐
零件費用	:另行報價
其他費用	:另行報價
7. 參加續保計劃的用戶可豁免以上部分所列之費用，而續保計劃詳情請向本公司的客戶服務部查詢。
8. 在任何情況下，保障範圍不會伸延至任何個人或財產損失引起的任何營利損失、附帶的、偶然的、特別的或後果的損失，或任何直接或間接損失。
9. 如遇以下所列之情況，用戶的保修資格將會被取消:
 - a) 因環境、人為因素，錯誤安裝或不當使用所引致的損壞
 - b) 熱水器曾接受用戶自行搬遷或曾受未經本公司授權之人士作出檢查、維修或改裝
 - c) 因使用非本公司供應的原裝零件或配件所引致的損壞
 - d) 未能出示有效的購買單據或保用證
 - e) 購買單據或保用證有任何非認可的刪改
 - f) 用於商業用途的熱水器
 - g) 機身編號被擅自塗改、破壞或刪除
10. 如用戶自攜熱水器或部分配件到本公司檢查或維修，本公司將會收取檢查及測試費用。如有任何爭議，電寶實業保留最終決定權。

中英文版之內容如有歧義，任何情況下概以中文版為準。

Terms of Warranty

Warranty Terms & Conditions (Applies only to Hong Kong SAR)

1. With the purchase of electric instantaneous water heater, the comprehensive warranty period will begin where Hotpool Industries Ltd. will provide on-site rectifications to any manufacturing defects free of charge, given that such defect is reported to our Customer Service Department within two years from the date of purchase.
2. Application for two years on-site warranty must be completed and returned to Hotpool Industries Ltd. via fax, e-mail, or post, within 14 days of purchase. The warranty will become effective after the receipt of the application, without any confirmation notice or written documents in return.
3. The two years comprehensive warranty only limits to the heating element and electrical parts. Hotpool Industries Ltd. reserves the rights to choose to repair or replace each faulty component subject to the evaluation of Hotpool Industries Ltd. service and maintenance crew.
4. If a product or part is discontinued or out of stock at the time of repair, maintenance or replacement, Hotpool Industries Ltd. has the option to repair or replace the covered product with the same model or like kind, specifications and quality at Hotpool Industries Ltd. sole discretion.
5. Hotpool Industries Ltd. reserves the rights to choose to provide on-site or workshop repairing service. And Hotpool Industries Ltd. will not provide water heater borrowing service.
6. After the two years comprehensive warranty, all inspection, rectification, transportation, and installation costs will be charged to the customer.

Basic Charges Information (Charges can change without prior notice):

Charges for Service out call /Inspection	: HK\$300 per call per unit
Outlying Island extra charges	: HK\$150 per call per unit
Registered Area extra charges (include Lantau Island, Ta Ku Ling, DBay and Sha Tau Kok etc)	: HK\$300 per call per unit
Transportation charges	: HK\$300 per call per unit
Spare part charges	: by individual quotation
Other charges	: by individual quotation

7. Customers who enrolled in our Warranty Extension Plan for Appliance* can be exempted from the abovementioned charges.*for details on Warranty Extension Plan for Appliance, please contact our Customer Service Department.
8. Under no circumstances shall coverage extend to any loss or damage to a person or property for any loss of profit, incidental, contingent, special or consequential damages or any direct or indirect loss.
9. This warranty does not include and will be voided if:
 - a) Damages resulting from improper installation or abnormal usage.
 - b) The water heater has been inspected or repaired or being tampered with/by any unauthorized person.
 - c) Non-standard parts and/or accessories are installed and/or used with the water heater.
 - d) Failed to produce a valid sales invoice or warranty card.
 - e) Original invoice and / or installation and operation manual are altered or modified.
 - f) The water heater is for commercial use.
 - g) The serial number on water heater body is removed or altered.
10. All walk-in requests for water heater repair or replacement service at our Customer Service office are subject to inspection and testing charges.

In case of any disputes, Hotpool Industries Ltd. reserves the right to make the final decision. Where this disclaimer is available in English, the Chinese version is the governing version and shall prevail whenever there is a discrepancy between the two versions.



產品資料 Product Information

產品名稱/Product Name: Hotpool Instant HPI-6

機身編號/Serial Code: _____

購買商戶/Dealer: _____

購買日期/Date of Purchase: _____

如有任何查詢或安排保修服務請致電客戶服務部

For inquiry or maintenance please call customer services department :

(852) 3622 3833



代理品牌/Brands





香港葵涌葵喜街 13-29 號永恆工業大廈 16 樓 7-12 室
Flat 7-12, 16/F, Wing Hang Ind. Bldg., 13-29 Kwai Hei St.,
Kwai Chung, Hong Kong

Tel: (852) 3622 3800

Fax: (852) 3622 3820

www.hotpool.com.hk