

# 電寶儲水

## HOTPOOL STORAGE

### HPU系列電熱水器產品

HPU Electric Water Heater

### 安裝及操作使用說明書

Installation and Operation Manual



STYLE "E" 款



橫掛牆式  
Horizontal Wall Mount



直掛牆式  
Vertical Wall Mount



直座地式  
Vertical Floor Stand



電寶實業有限公司

Hotpool Industries Limited

致客戶：  
Dear Customer,

非常感謝閣下選購電寶儲水 HPU 系列中央式電熱水器。  
Thank you for purchasing the Hotpool Storage electric water heater HPU series.

電寶儲水 HPU 系列採用獨有專利的內置渦輪加熱系統，  
精確省電，省心，安全，讓您的生活更輕鬆。  
Hotpool Storage HPU series have the Built-in Turbo Heating System, safe and saving energy, your life will become more relaxed.

閣下在安裝及使用前請仔細閱讀本使用說明書。  
Before installation and usage, please read this user manual carefully and keep this manual for future reference.

請安排合資格工程人員進行安裝和使用前第一次測試工作程序。  
Installation, maintenance work and the first time operation may only be carried out by a qualified installer.

如需將本產品交予另一方接管，請必須將本說明書一併交給對方。  
Keep this manual in a safe place, and give it to the new owner.

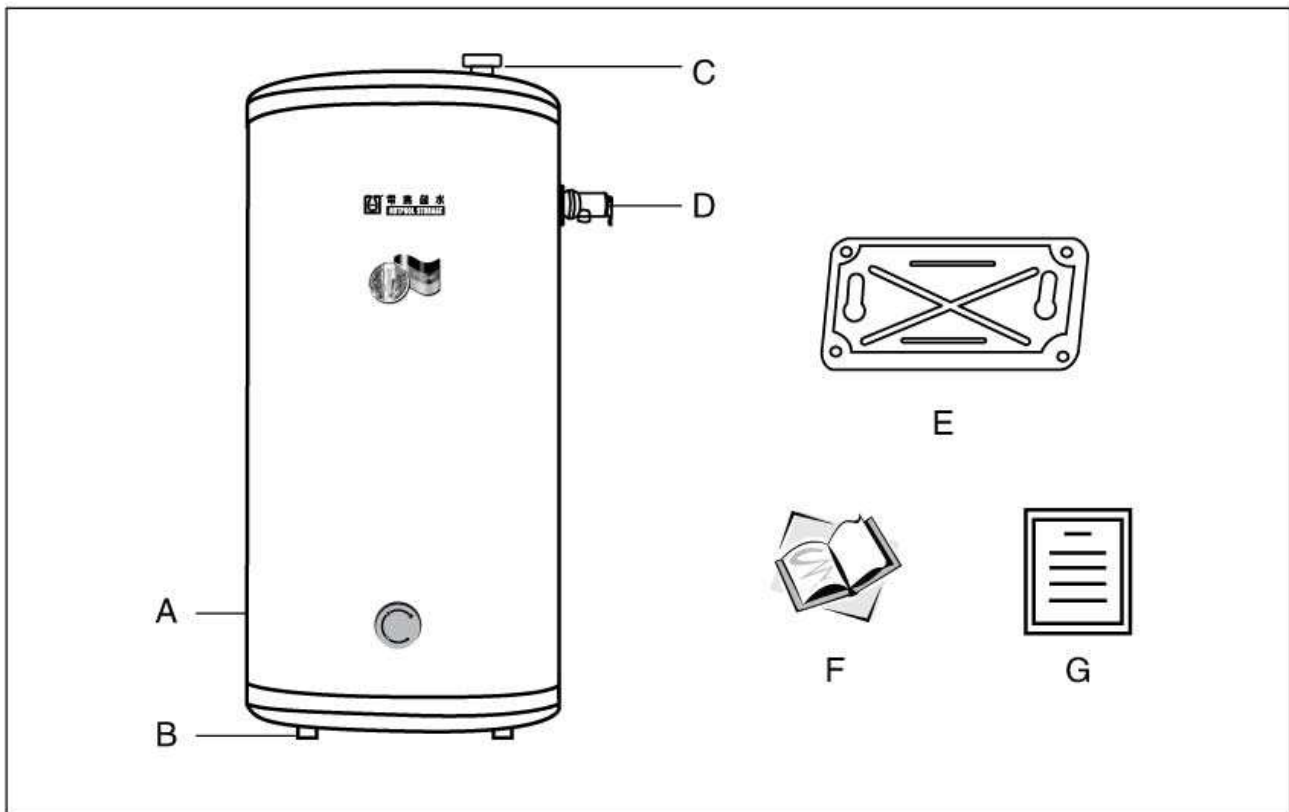
# 目 錄

## Table of contents

1. 產品及隨機組件 Product and Accessories .....	3
1.1 主機及配件說明 Main Unit and Accessories Instructions	
1.2 控制器 Controller	
2. 安裝說明 Installation Guides .....	5
2.1 安裝說明 Installation Explanation	
2.2 安裝注意事項 Important Notes for Installation	
3. 主要功能介紹 Major functions Introduction .....	10
4. 操作及使用指南 Operating Guides .....	11
4.1 使用指南 Operating Guides	
4.2 使用注意事項 Operation Precaution	
5. 技術參數 Technical Specification .....	14
6. 常見問題 Troubleshooting .....	15
7. 電寶實業有限公司產品保證條款 Warranties .....	16

# 1 產品及隨機組件 Product and Accessories

## 1.1 主機及配件說明 Main Unit and Accessories Instructions

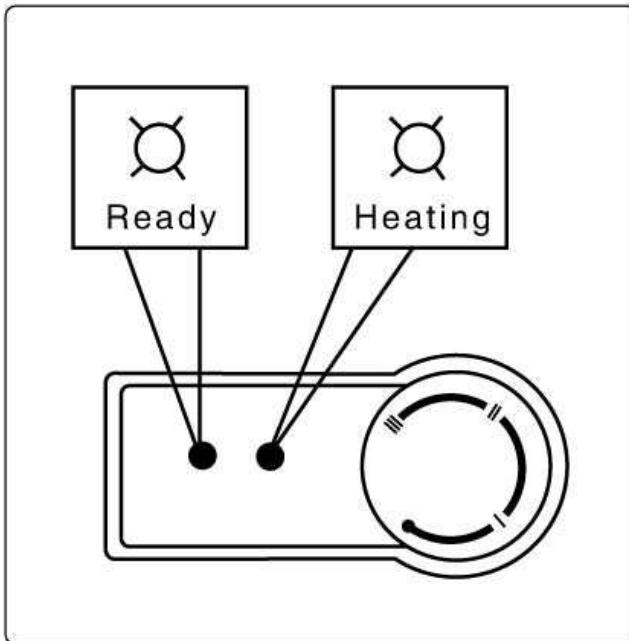


No.	名稱 Name	數量 Quantity	備註 Remark
A	儲水箱 Water Tank	1	主機 Main Unit
B	喉管接駁位 Pipe Connector		
C	防真空閥 Anti-Vacuum Valve	1	在配件盒內 In Accessories Packing
D	溫度及壓力排放閥 Pressure and Temperature Relief Valve	1	在配件盒內 In Accessories Packing
E	固定掛碼 Wall Mounting Bracket	1	在配件盒內 In Accessories Packing
F	說明書 Manual	1	在包裝盒內 In Packing
G	保養書 Warranty card	1	在包裝盒內 In Packing

## 1.2 控制器 Controller

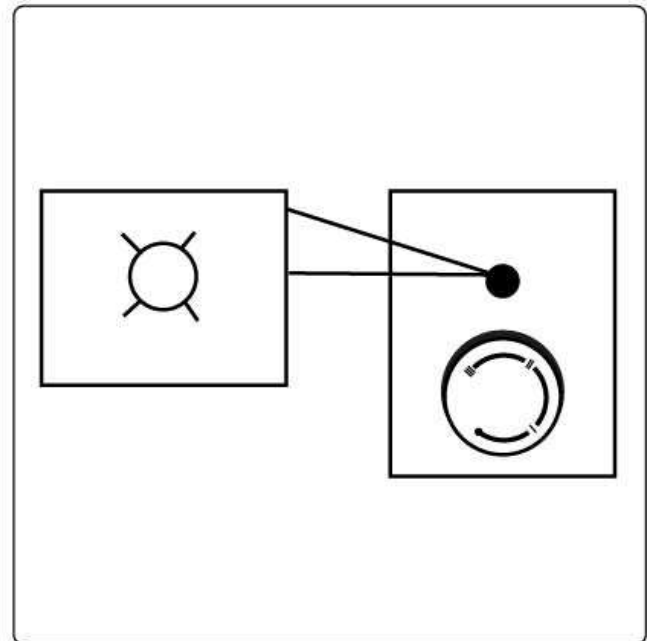
### 機械式顯示面板說明

#### 適用於方形爐



- (1) 加熱完成指示燈（黃色）：  
指示燈長亮，代表加熱完成  
Ready indicator (yellow):  
indicator lights when the  
water is heated up
- (2) 正在加熱指示燈（紅色）：  
指示燈閃爍，代表正在加熱  
Heating indicator (red):  
indicator glitters when the  
water is heating
- (3) 恆溫制旋鈕方向指示：  
a、右旋增加水溫，  
b、左旋降低水溫  
Thermostat:  
a) turn right to increase the  
water temperature  
b) turn left to decrease the  
water temperature

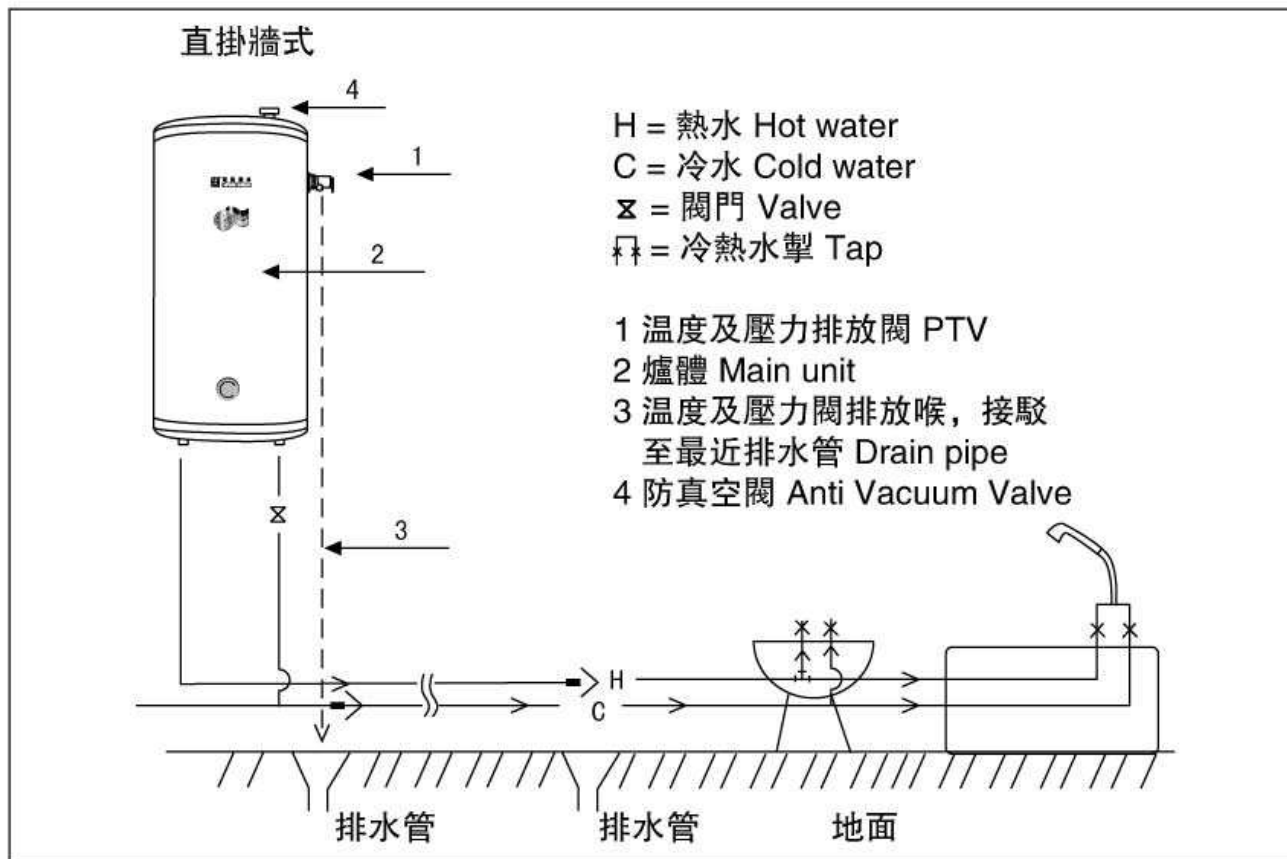
#### 適用於圓形爐



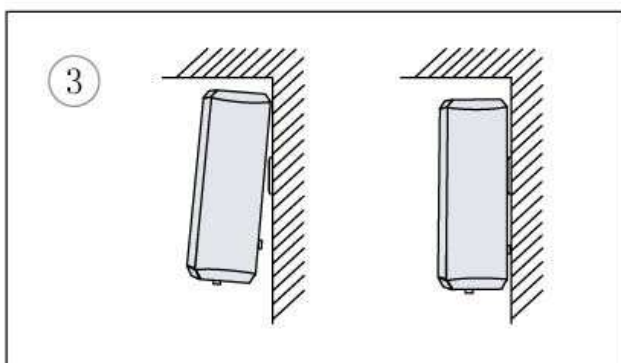
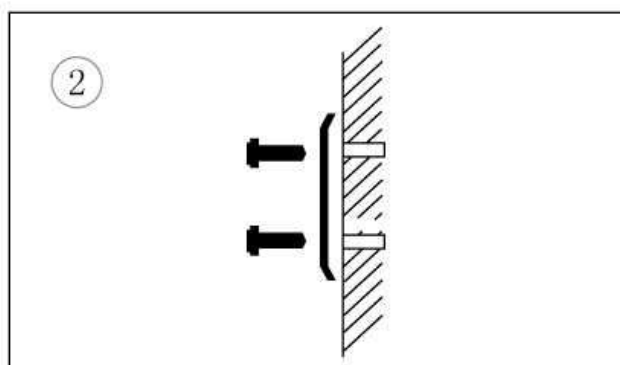
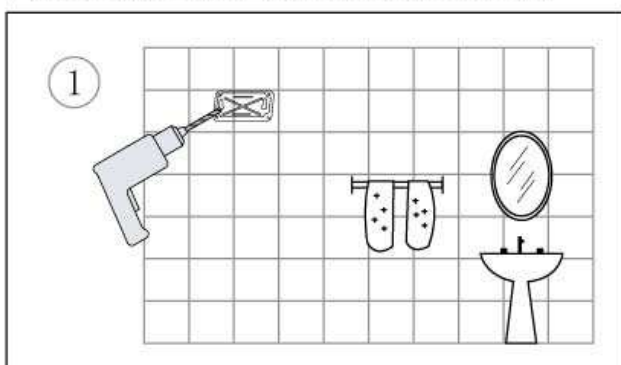
- (1) 正在加熱指示燈（紅色）：  
指示燈長亮，代表正在加熱  
Heating indicaator (red):  
indicator lights when the  
water is heating
- (2) 恆溫制旋鈕方向指示：  
a、右旋增加水溫，  
b、左旋降低水溫  
Thermostat:  
a) turn right to increase the water  
temperature  
b) turn left to decrease the water  
temperature

## 2 安裝說明 Installation Guides

### 2.1 安裝說明 Installation Explanation



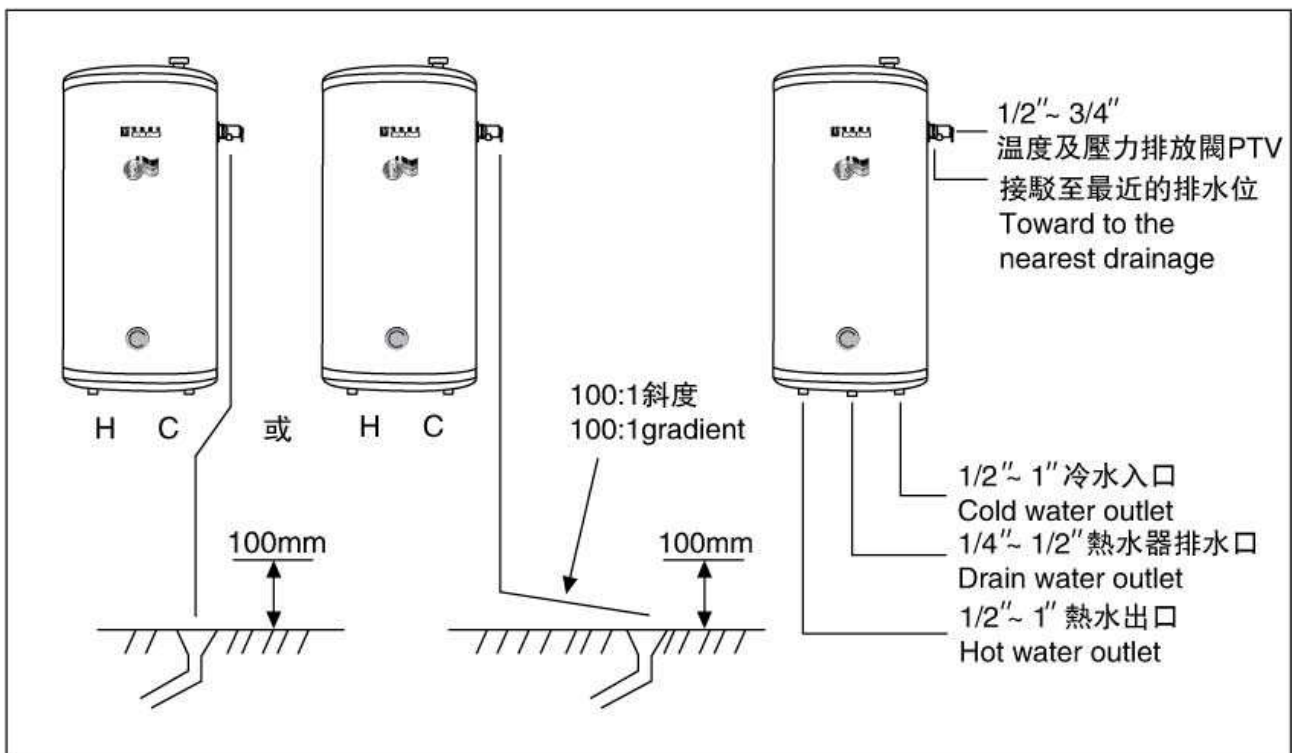
### 固定支架安裝圖 Installation Diagram



## 圖示安裝說明 Diagram show

- ① 選定放置熱水器的位置，必須使用穩固的混凝土，或者實心磚牆，或者同等功能的建築物，且依照定位指示打好固定掛碼的螺絲孔；  
Place the water heater's on stable concretes, or solid brick wall, or same level function building. Mark out the fixing holes for mounting bracket.
- ② 用適當的螺絲固定好固定掛碼；  
Use suitable screw to fix the bracket.
- ③ 將熱水器垂直掛在固定掛碼上，傾斜度不能大於5度  
Install the water heater vertically as shown on illustration, the gradient cannot be greater than 5 degrees.

## 喉管及壓力排放閥的安裝 Pipe and Safety Valve Installation Diagram



- i 把排水導管接駁到排放閥  
Install the drain pipe to the pressure and temperature relief valve (PTV)
- ii 排水導管的出口需垂直或指向最近的地面排水渠口。如導管需平放安裝，則需最少有100:1的斜度指向渠口。  
Drain pipe outlet must close and toward to the nearest drainage in upright position, or lay on the floor with 100:1 gradient to the drainage.
- iii 排水導管出口需離地面最小100毫米距離，以免做成堵塞。  
A Min. clearance of 100 mm between the floor and drain pipe outlet to prevent blockage.
- iv 不能把導管出口堵塞或接駁到其他配件。  
Do not block or connect with other accessories to the drain pipe.

## 電寶儲水電熱水器HPU系列款式

## A) 直掛牆式

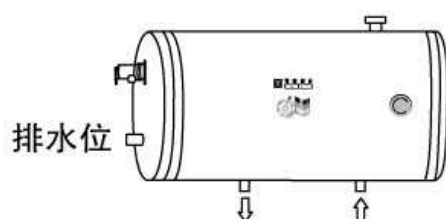


A1 (底出入水、右PTV)

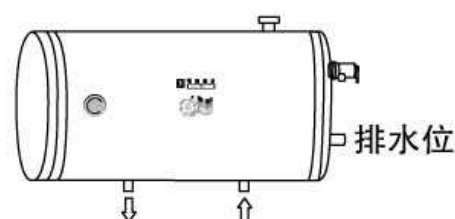


A2 (底出入水、左PTV)

## B) 橫掛牆式



B1 (底出入水、左PTV)



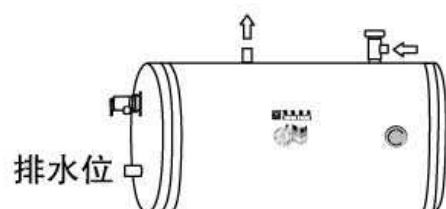
B2 (底出入水、右PTV)



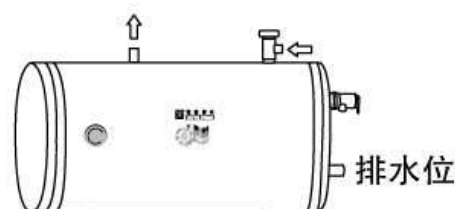
B3 (右出入水、左PTV)



B4 (左出入水、右PTV)



B5 (頂出入水、左PTV)



B6 (頂出入水、右PTV)



### C) 直座地式

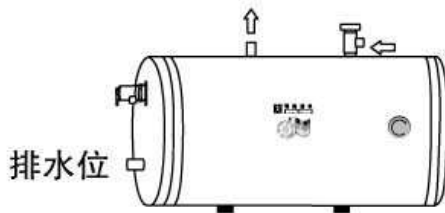


C1 (頂出入水、右PTV)

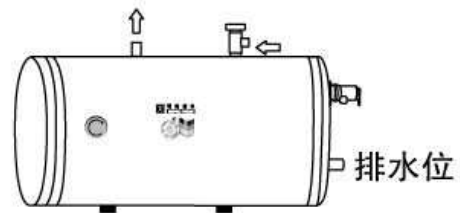


C2 (頂出入水、左PTV)

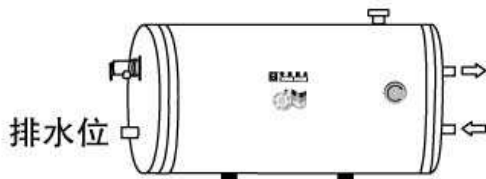
### D) 橫座地式



D1 (頂出入水、左PTV)



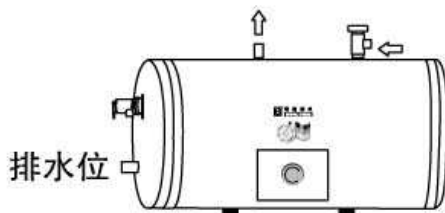
D2 (頂出入水、右PTV)



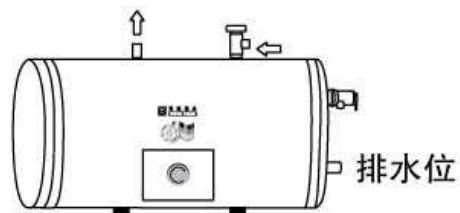
D3 (右出入水、左PTV)



D4 (左出入水、右PTV)

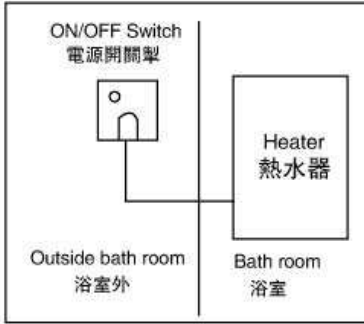
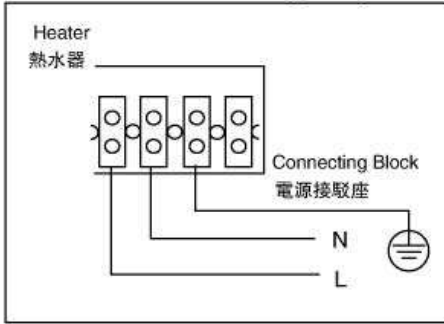


D5 (頂出入水、左PTV)

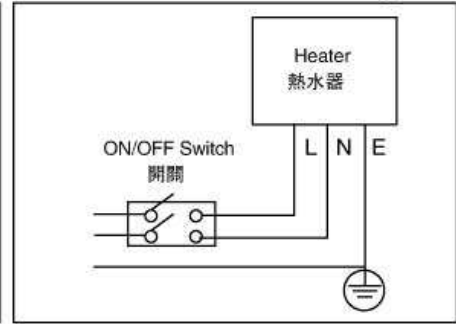


D6 (頂出入水、右PTV)

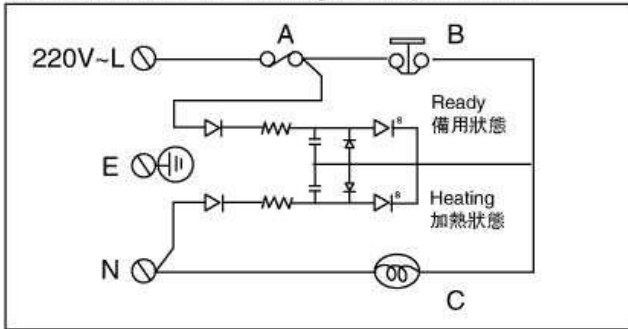
**電源線接線圖 Wiring Diagram**



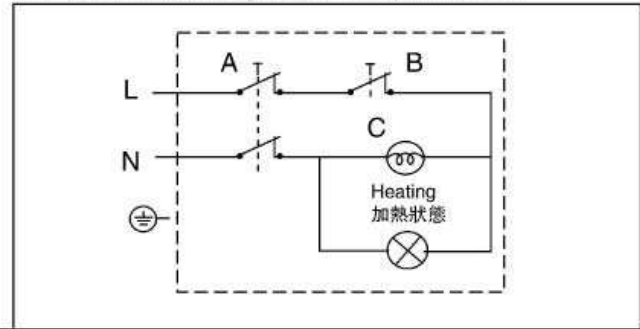
**單相接線圖 1 Phase Wiring**



**方型款接線圖 Rectangle shape model**



**圓型款接線圖 Cylinder shape model**

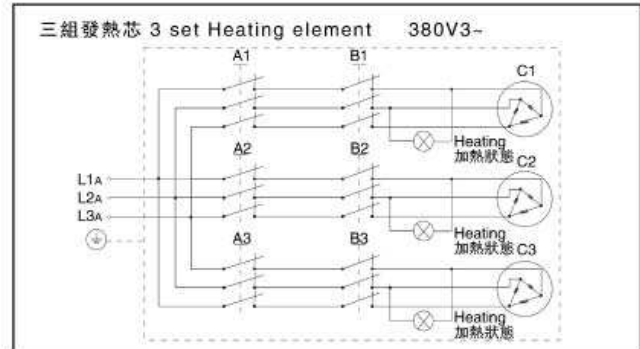
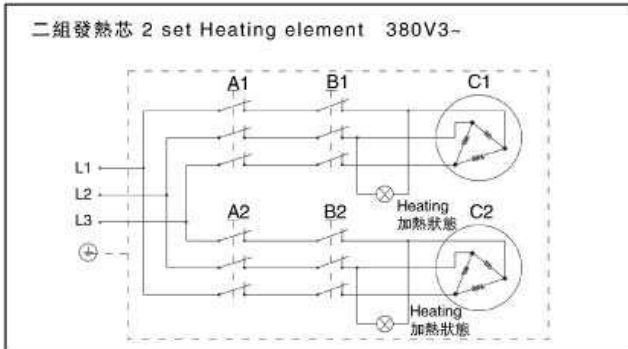
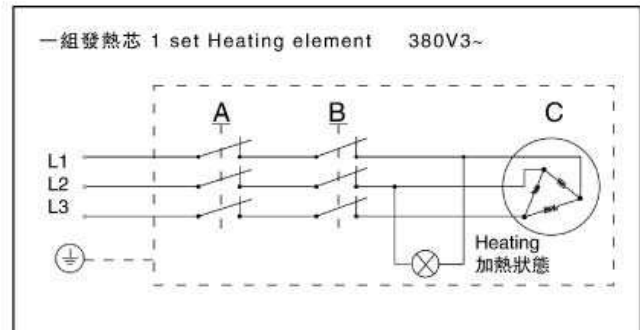
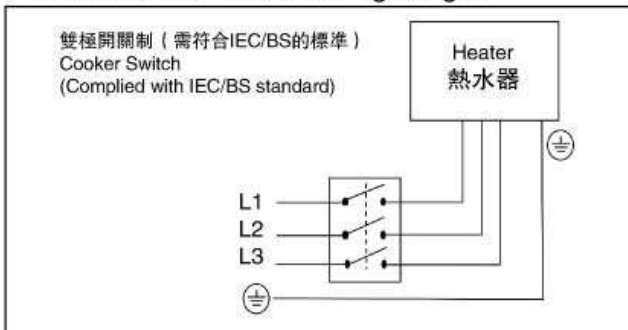


A = 過溫斷路器 Thermal cut out

B = 溫控器 Thermostat

C = 發熱芯 Heating element

**三相接線圖 3 Phase Wiring Diagram**



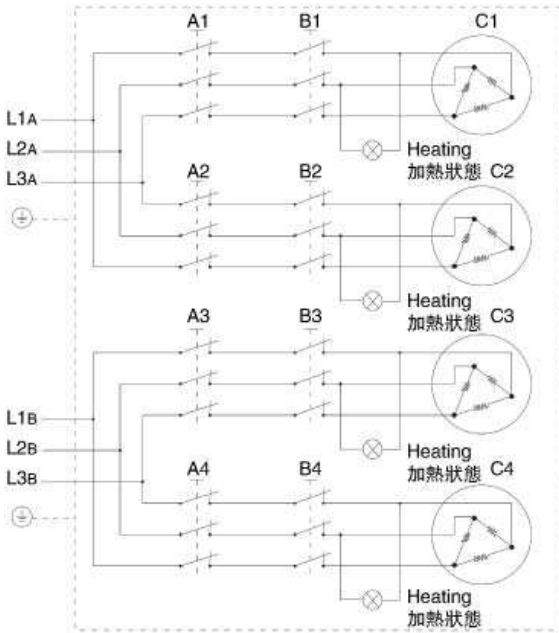
A = 過溫斷路器 Thermal cut out

B = 溫控器 Thermostat

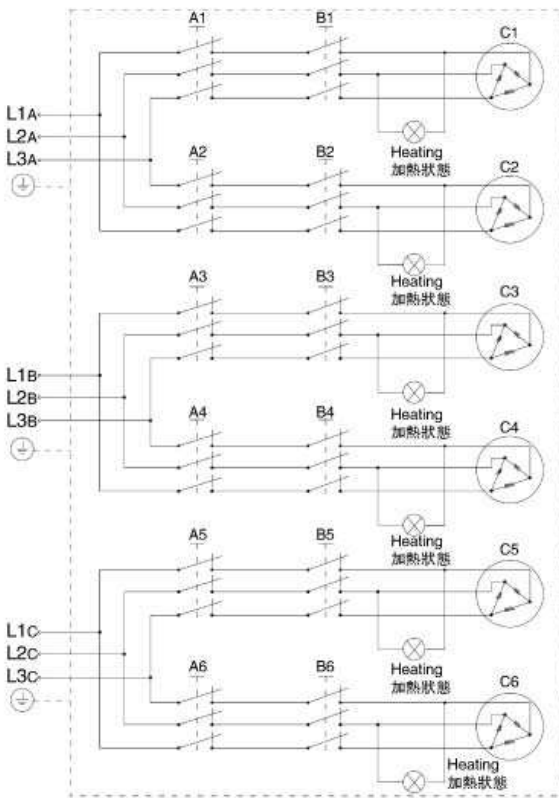
C = 發熱芯 Heating element

1. 將電源開關制安裝在浴室外穩固牆上的適當位置，然後用標準電線將電源開關制與熱水器的電源接駁座上相應的接線端連接好即可  
Install the power switch to appropriate position on the stable wall outside the bathroom, then the corresponding wiring end connect to cable;
2. 電線安裝需依照使用發熱線的功率和根據當地電力法例，除載流量要滿足熱水器的額定功率，並預留有安全容量。  
Electrical supply installations must according to the power rating of heating element and the local electric power regulation. The current-carrying capacity must satisfy the water heater's rated power, and reserves the security capacity.

四組發熱芯 4 set Heating element 380V3~

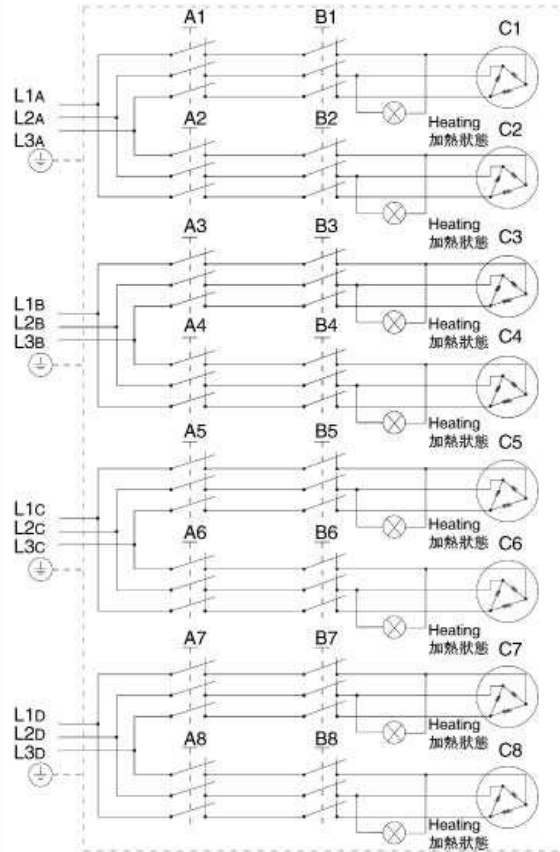


六組發熱芯 6 set Heating element 380V3~



A = 過溫斷路器 Thermal cut out  
 B = 溫控器 Thermostat  
 C = 發熱芯 Heating element

三相八組發熱芯 3 Phase 8 set Heating element 380V3~



## 2.2 安裝注意事項

Important Notes for Installation

### 1. 安裝熱水器之最基本條件如下:

- A) 經批准及安全之供電系統
- B) 經批准及穩定之供水系統
- C) 穩定之混凝土或實心磚牆或同等性能建築物

Basic condition for water heater installation:

- A) Regulations of local electricity authority
- B) Regulations of the local water authority
- C) Stable concretes solid brick wall or the same level performance building

### 3. 電力開關需使用符合國際電工協會(IEC)標準的雙極電源開關制，並且該制必須安裝於浴室之外；

A switch intended to disconnect the water heater from the supply, and it should disconnect all poles and should have a contact separation of at least 3 mm.

( Complied with latest IEC/BSEN standard )

3. 安裝熱水器的安全預防措施及操守如下：

- A) 此熱水器電源需接駁於獨立配電箱上，且安裝方法根據當地電器標準及條例執行；
- B) 根據使用電工條例及當地法規，需接駁最少一款安全斷路制如下：
  - i) 適合之自動斷路制
  - ii) 適合之漏電斷路制
- C) 此熱水器安裝必須由授權專業技師安裝及維修；
- D) 此說明書上的熱水器安裝示意圖只供參考，正確安裝位置及尺碼請與授權專業技師聯絡；
- E) 安裝熱水器的位置，必需備有地臺去水設備或裝置

Notes for installation of water heater as follows:

- A) Electrical wiring must directly connect to the individual main supply. Observe all water and electricity regulation;
- B) According to the local standard and regulations, it is required to connect at least one of the following electrical system:
  - i) Suitable MCB system
  - ii) Suitable RCCB system
- C) The installation (water & electricity) and commissioning must be only carried out by a qualified technician
- D) The installation diagram inside this instruction booklet is for reference only. For the correct installation position and measurement, please contact with the authorized professional
- E) The position for the installation must provide adequate floor drainage

4. 熱水器的安裝必須安全穩固並且確保電源線接駁正確無誤；

Make sure the installation of the water heater is absolutely correct and stable;

5. 爲了避免重復開關所引致的危險，本產品不能接駁外部自動開關組件；  
例如定時器，或者連接到由通用部件定時進行通斷的電路。

To avoid any electrical shock by the duplicated power supply device. The appliance should not connect with other external automatic power supply device, such as timer, or any other power supply that control by a specify device.

**警示：本電熱水器必須接駁良好地線！！**

若不按照制造商說明書指示安裝或由於使用不當而引起的一切損失，  
製造商、代理商和分銷商均概不負責。

**Warning: This appliance must be earthed!!**

The company does not accept liability for failure of any goods supplied which have not been installed and operated in accordance with the manufacturer's instructions.

### 3 主要功能介紹 Major function introductions

- 獨有專利設計-內置渦輪加熱系統  
Patented design – Built-in Turbo Heating System
- 出水溫度穩定  
Stable Water temperature
- 水壓不穩仍可出水流暢  
Suitable for unstable water pressure
- 安全防超溫保護  
Safety Overheated Protection
- 優質保溫層，保溫能力特強  
High density insulation layer keeps the heat loss to the minimal
- 符合最新國際電工協會IEC-60335-2-21安全標準  
Complied to the IEC-60335-2-21 standard

電寶儲水 HPU 系列電熱水器擁有獨有專利設計-內置渦輪加熱系統，大大減少加熱盲點，熱量能夠均勻循環，熱水量比一般熱水器更多，效果更佳。  
Hotpool Storage HPU series electric water heater has patented design – built-in turbo heating system, highly reduced the heating blindspot, the heat circulation is more even and the heat storage capacity is to maximum.

HPU 是特別為香港標準設計，符合各方面對安全上的要求  
HPU is special for the Hong Kong safety standard.

為了保障用家安全，HPU 系列內置超溫保護裝置，當水溫超過一定溫度，便會自動切斷電源。  
For your safety, HPU series are installed a overheated protection system. When the water temperature is over the limit, the system will cut off the power automatically.

另有優質保溫層，減少熱量流失，節省能源。  
In addition, high density insulation layer keeps the heat loss to the minimal, save the energy.

## 4 操作及使用指南 Operating Guides

### 4.1 使用指南 Operating Guides

1. 確定熱水器安裝在正常狀態和正確位置。  
Make sure the water heater correctly installed.
2. 開啓熱水制，讓冷水和氣泡從出水口排出約1分鐘，然後關掉水制（此程序祇適用於第一次安裝、維修後熱水器的試用或當停水後的第一次使用前）；  
Turn on the hot water tap and allows cold water or air bubble flow out for approximately 1 minute, then turn off the tap (this program only suitable for the first time installation, after maintenance or first time use after discontinue of water supply);
3. 開啓電源，將水加熱，此時正在加熱指示燈(紅色)會閃爍。  
Turn on the power, then the system will immediately start heating and the heating indicator (red) will light and flash.
4. 當水溫達到預校溫度時，正在加熱指示燈(紅色)會熄滅，加熱完成指示燈(黃色)會明亮。  
When the water temperature reaches the pre-set temperature, the system automatically turnoff power supply and stops heating, the heating indicator (red) will go out and ready indicator (yellow) will light.
5. 首先開啓冷水，然後慢慢打開熱水，調校至適合水溫淋浴。  
Use the water tap to adjust the water temperature for bath.

### 4.2 使用注意事項 Operation Precaution

1. 由於水可能會從溫度及壓力排放閥的導管出口排出，因此該水管的出口必須與大氣相通並且沒有任何阻塞。  
Water may drip from the Pressure and Temperature Relief Valve (PTV) drain pipe, therefore the drain pipe must be left open to the atmosphere.
2. 溫度及壓力排放閥的導管必須使用連續性向下的安裝方法，而且喉管周圍不能有結霜的情況發生。  
PTV drain pipe must be installed continuously downward and frost-free.

3. 溫度及壓力排放閥的閥門必須定期測試 (建議每三個月), 以防有阻塞情況發生。  
PTV must be tested or operated to make sure it is not blocked
  
4. 當熱水器加熱時, 溫度及壓力排放閥可能有少量滴水排放, 這是正常現象, 無需採取行動。  
In normal operation, a small amount of water will drip from the PTV drain pipe during the heating process. NO ACTION IS NECESSARY.
  
5. 當熱水器加熱或開動供水閥門時, 發現大量水和氣體排放時, 則可能有以下問題:
  - a) 溫度及壓力排放閥損壞
  - b) 供水水壓過大
  - c) 恆溫器損壞, 導致水溫上升及壓力過強而排泄發生以上的問題時, 使用者應實時採取如下措施:
  - i) 關掉電源
  - ii) 關掉供水閥門
  - iii) 立即致電本公司或經銷商進行維修If considerable amount of water flow through the PTV during the heating process, the following is the probable causes and the actions in which to be taken:
  - a) PTV failure
  - b) Incoming water pressure is too high
  - c) Thermostat failureThe following action should be taken:
  - i) Switch off the power
  - ii) Turn off the gate valve
  - iii) Call for customer service centre immediately
  
6. 不可把雜物放在熱水器上;  
Do not place anything on the water heater;
  
7. 經常定期檢查熱水器的供電電源線, 查看電源線是否損壞或過熱, 如發生, 請立即關掉電源, 並通知代理商檢查, 且需由授權人士更換;  
Periodic inspection for water heater's power supply, check whether there is any damage or overheating on the cable. If found, please switch off the power supply immediately, and informs the agent for inspection, and it must be checked by authorized professional;
  
8. 不可用電源延伸座或與其他家電設備共同連接使用;  
Do not connect the power supply through extension cable or use the same supply with other electrical appliances;

9. 如果熱水器發生故障，切勿自行修理或更換零件，應聯絡以下公司：

- ① 電寶實業有限公司（只適應於香港境內）
- ② 授權維修中心
- ③ 熱水器購買時之分銷商

If the water heater breaks down, do not repair or replace any components by yourself please contact us through:

- A. Hotpool Industries Ltd. (For Hong Kong area)
- B. Hotpool Authorization service centre
- C. Hotpool Authorized Dealer

10. 如果需要長時間停用時，建議把電源斷開（停止供電），恢復使用電熱水器時請先進行檢查，打開熱水制（混合水制右邊帶紅點一端），確保爐內有水後才可通電，恢復使用；

If the water heater will be idled for a long time, please switch off the power supply. Check it when you need to use it again, turn on the mixer tap to the hot water side (red dot) to make sure the water tank is full and switch on the power;

11. 本熱水器只可使用隨機之原裝配件，不可擅自更改；

Please incorporate with original fittings and do not change with any other fitting;

12. 在停水或制水期間，切勿使用或啟動本電熱水器；

If there is no water supply, do not use the water heater;

13. 在本電熱水器安裝位置的地臺，應備有適當的地臺去水設備；

The location for the installation of this water heater should have adequate floor drainage;

14. 當電熱水器需要進行維修工作或清洗水缸前，必需進行放水排空，程序如下：

When the Storage water heater have service repair or tank cleaning, it is necessary to drain the tank first. The steps to drain up the tank are as follow:

i. 先把來水閘制關上，並把熱水器電力斷路制關閉。

Close the gate valve and Switch Off the power supply of the storage water heater.

ii. 使用合適的工具把底部的放水蓋鬆脫並打開，然後待水從內膽流出直至停止。

Use a suitable tool to open the bottom cover and loose the drain stopper of the storage water heater. drain until the tank become empty

iii. 在完成維修或清洗程序後，可以把放水蓋合上並收緊；把水閘制和熱水龍頭打開直至水注滿後，方可重新打開電源使用。

After that, tighten the drain stopper; open the gate valve and hot water tap until water fill up the tank again. Turn On the power.”

15. 本電熱水器最大工作壓力 ( Pa ) : 1.0 MPa

The maximum working pressure, in pascals: 1.0 MPa.

16. 如供水系統的來水壓力超過 0.6 MPa (6 Bar), 用戶必須額外加裝減壓器將水壓減低。

If the incoming pressure exceeds 0.6Mpa (6 Bar), a seperate pressure control device should be installed.



## 5 技術參數 Technical Specification



Products Technical Parameters 技術參數		Unit 單位	Unvented Multi-Point Central Storage Type 高壓中央儲水式系列			
			HPU-3.5	HP-6.5	HPU-10	HPU-15
Storage Capacity	容量	Litres 公升	15	25	38	55
Power Capacity	功率	kW	2 / 3 / 4		3 / 4 / 6	
Electrical Connection (voltage)	電壓		220V / 1~PE (單相)		220V / 1~PE (單相), 380V / 3~PE (三相)	
E Series: Dimensions (HxWxD)	機身尺寸 (高 / 闊 / 深)	mm	450x335x306	660x335x306	660x390x356	660x432x432
Dimensions (HxWxD)	機身尺寸 (高 / 闊)	mm	(H)450xφ315	(H)660xφ315	(H)660xφ362	(H)660xφ432
Power Control	操作		Thermostat variable adjustment 恆溫掣 調控旋鈕			
Hot Water Temperature (Min./Max.)	恆溫範圍 (最低-最高)	°C	35 - 75			
Cold Water, Hot Water Connection	水喉規格		φ 1/2" , 3/4" , 1" , 1½"			
Test Pressure	測試水壓	MPa	2.0			
Working Pressure	工作壓力	MPa	1.0			
Max. Water Pressure	最大供水水壓	MPa	≥ 0.7 ( should not be greater than 建議不超過 )			
Empty Weight	淨重	kg	9.5	11	15	22
Operating Weight	連水重	kg	24.5	36	53	77
IP Rating	防水級別		IP 25			

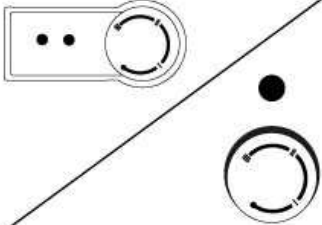
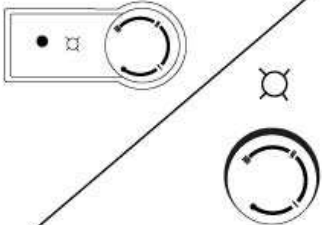
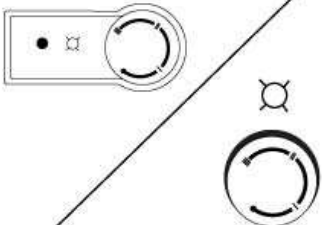
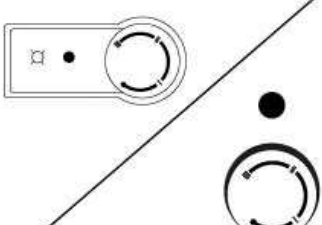
\* 以上尺寸未計算機身外置配件

\* The above measurement is for the main unit only

+ 尚有多款容量可供選擇

+ Other storage capacities are also available

## 6 常見問題 Troubleshooting

狀態 State	狀況 Condition	原因 Cause
	<ul style="list-style-type: none"> <li>● 指示燈不亮</li> <li>● No indicator</li> </ul>	電源被切斷 Power is cut off
	<ul style="list-style-type: none"> <li>● 正在加熱指示燈長亮或長期閃爍，沒熱水供應</li> <li>● Heating indicator lights or glitters for long time, but no hot water provided</li> </ul>	發熱芯損壞 Heating element is damaged
	<ul style="list-style-type: none"> <li>● 正在加熱指示燈閃爍過久，且出水溫度過熱</li> <li>● Heating indicator glitters for long time, and the water is too hot</li> </ul>	恆溫器失靈或損壞 Thermostat failure
	<ul style="list-style-type: none"> <li>● 加熱完成指示燈長亮，但沒熱水供應</li> <li>● Ready indicator lights, but no hot water provided</li> </ul>	超溫保護器開路 Overheated Protection system cut off the power

## 7 電寶實業有限公司產品保證條款 Warranties

1. **2年全機保養及10年有限制內胆保養**  
**2 years warranty for electrical parts and 10 years limited inner tank warranty**
2. 用戶自購買當日起便可獲得上述保養服務，如在保養期內因產品配件出現問題，本公司將給予更換或維修。  
The customer's warranty period start from the purchase date, if there is any problem during the warranty period, we will provide parts replacement or maintenance.
3. 此保證書將不包括如下使用而導致出現的故障：
  - ① 未按本說明書安裝及使用
  - ② 使用不適當或不合格的配件
  - ③ 未被授權下進行安裝或更改配件This written guaranty do not include the breakdown which causes by the following :
  - ① Not follow the user manual for installation and usage
  - ② Use the dis-qualified accessories
  - ③ Unauthorized for any installation work or accessories change
4. 如熱水器用於商業行為，此保證書將自動失效；  
The warranty will be voided if the heater is for commercial use;
5. 在維修或更換地區如未有公共汽車服務或需要辦公時間以外工作，本公司會收取額外附加費。  
An supplementary charges will be applied where the place or premises could not be accessed by public transportation and or serve on non-office hours.
6. 天災、人為因素或因非正當使用而導致本產品出現任何問題或導致的任何問題事故，本保證書自動失效。  
Before operating this set, please fully understand the prerequisite such as specifications or constraints. We are not responsible and have no liability for any loss, damage or injury for any loss, damage or injury as a results of mis-use.

- 本說明書內容已經是在出廠前最後修訂版，唯本說明書的內容如有更改，恕不另行通知。
- The information in this manual is subject to change without notice.



**電寶實業有限公司**

**Hotpool Industries Limited**

香港葵涌葵喜街13-29號永恒工業大廈16樓7-12室

Flat 7-12, 16/F Wing Hang Ind. Bldg., 13-29 Kwai Hei St, Kwai Chung, HK

Tel: (852) 3622 3800 Fax: (852) 3622 3820

客戶服務熱線： ( 852 ) 3622 3833 ( 852 ) 2614 6798